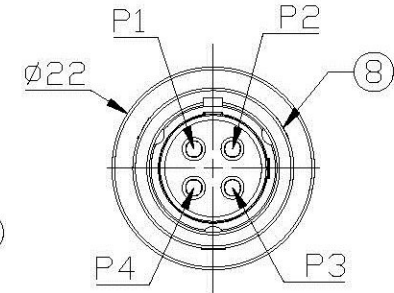
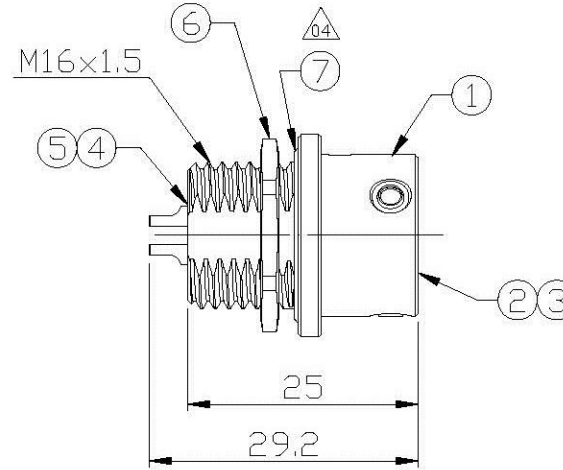
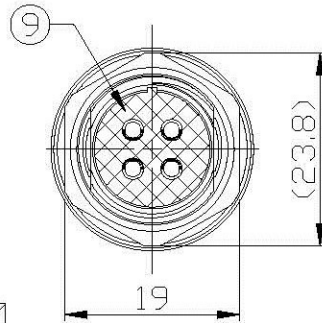


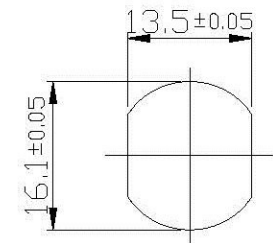
Notes: (Unless Otherwise Specified)

1. Waterproof Rate : IP68
2. Recommend Panel Thickness: 0.8 to 8.0 mm
3. Recommend Torque: 15~16 Kgf-cm
4. Durability: 100 Cycles Min.
5. DWV: 1400 Vrms
6. Rated Voltage: 250V AC/DC
7. Insulation Resistance: 100 MΩ Min.
8. RoHS Compliant.

REV	ECN#	DESCRIPTION OF REVISION	DRAW BY DATE	CHECK BY DATE	APPROVE BY DATE
01			Hank 10/17/12	Ray 10/17/12	Ray 10/17/12
02	ECN-130212	02 Modify Color	Hank 02/22/13	Ray 02/22/13	Ray 02/22/13
03	ECN-130312	03 Modify Color	Hank 03/18/13	Ray 03/18/13	Ray 03/18/13
04	ECN-130503	04 Change O-Ring & Redraw	Hank 05/10/13	Ray 05/10/13	Ray 05/10/13



Pin Assignment



Recommended Panel Cut-Out

GTC
R&D DEPT. ISSUE
MAY.10.2013
ONLY FOR
RELEASE

9	Glue	Epoxy Color: Black	
8	Metal Ball	SUS Finish:-	3
7	O-Ring 04	Silicone Color: Gray	1
6	Metal Hex Nut	SUS Finish: -	1
5	Base	Thermoplastic Color: Black	1
4	Contacts	Copper Alloy Finish: Au Plated	4
3	O-Ring	Silicone Color: Gray 02 03	1
2	Housing	Thermoplastic Color: Black	1
1	Metal Body	SUS Finish: -	1
Item	Part Name	Material / Finish	Qty

TITLE						DRAWING NUMBER			REV.
M16 Metal 10A 4P SUS303 Panel Rear Mount Female Solder Push Lock						GT261200-04040			04
	B	1:1	Hank 10/17/12	Ray 10/17/12	Ray 10/17/12	X.X ± 0.5 X.XX ± 0.2	X.XXX ± 0.05 ANGLES ± 1°	mm	1/1
THIRD ANGLE PROJECTION	SIZE	SCALE	DRAW / DATE	CHECK / DATE	APPROVE / DATE	TOLERANCES		UNIT	SHEET

Allconnectors
 www.allconnectors.com info@allconnectors.com
 tel: +49 212 909243 fax: +49 212 909249
 4/54 Hilt-estadt - Germany kettemerstr. 22

THE INFORMATION CONTAINED HEREIN IS THE PROPRIETARY PROPERTY OF GT CONTACT CO., LTD. THE POSSESSOR AGREES TO THE FOLLOWING:
 (1) TO MAINTAIN THIS DOCUMENT IN CONFIDENCE
 (2) NOT TO REPRODUCE OR COPY IT
 (3) NOT TO REVEAL OR PUBLISH IT IN WHOLE OR PART
 (4) ALL RIGHTS RESERVED